



Features

- High grade, long life
- Single and dual gang
- Assortment of resistance tapers
- Tracking error within ± 3 dB
- 45 mm and 60 mm sizes
- Wide operating temperature range

Applications

- Professional mixing consoles
- Professional outboard gear

PTS Series High Grade Slide Potentiometer

Electrical Characteristics

Standard Resistance Range1K ohms to 1 megohm
 Standard Resistance Tolerance ± 20 %
 End Resistance1 ohm max.
 Insulation Resistance @ 500 VDC100 megohms min.
 Dielectric Withstanding Voltage1000 VAC
 Tracking Error ± 3 dB
 Standard TaperLinear, Audio
 Power Rating
 Linear0.5 watt
 Audio0.25 watt
 Slider Noise60 mV max.

Environmental Characteristics

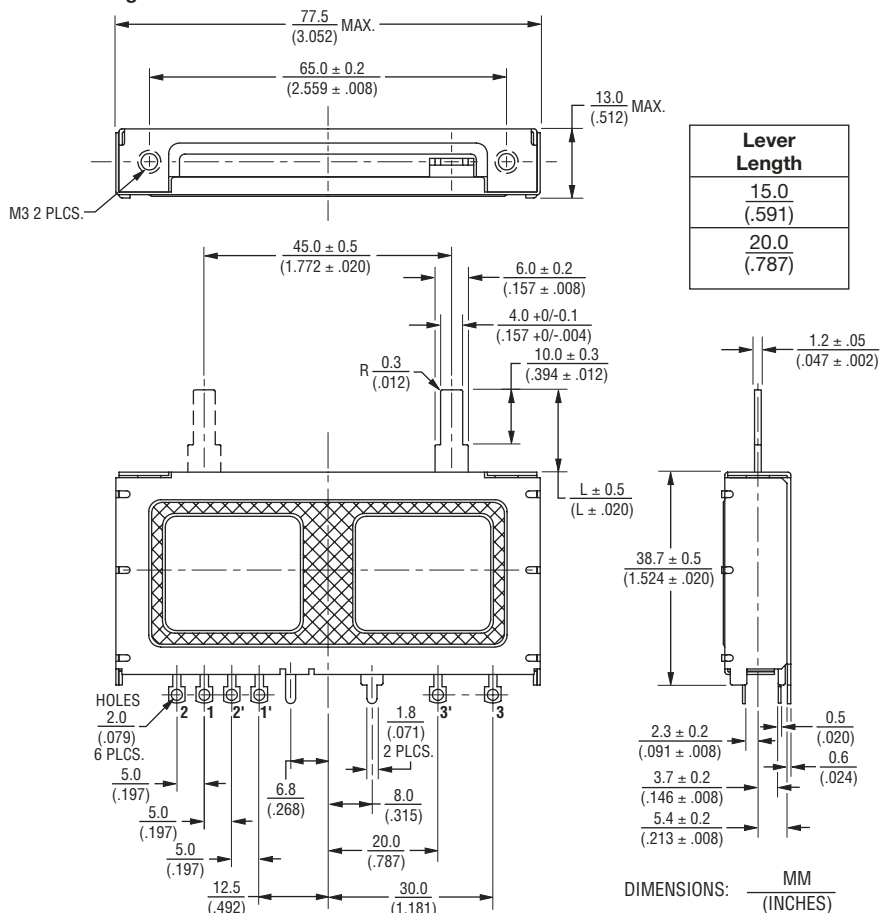
Operational Life.....100,000 cycles
 TR Shift..... ± 15 %
 Operating Temperature Range-10 °C to +55 °C
 Resistance to Solder Heat ± 5 %

Mechanical Characteristics

Mechanical Travel.....Length ± 0.5 mm
 Operating Force60 gf
 Stop Strength5 kgf min.
 Shaft Axial Force10 kgf min.
 Shaft Wobble.....2(2 x L/25) mm p-p max.
 Soldering Condition
 Manual.....300 °C ± 5 °C for 3 sec.
 Wave260 °C ± 5 °C for 5 sec.
 WashNot recommended

Product Dimensions

45 mm Length of Travel



Standard Resistance Table

Resistance (Ohms)	Resistance Code
1,000	102
2,000	202
5,000	502
10,000	103
20,000	203
50,000	503
100,000	104
200,000	204
500,000	504
1,000,000	105

How To Order

PTS 45-0 2 L-103 B2

Model Number Designator
 PTS = High Grade Slide Potentiometer

Length of Travel
 45 = 45 mm
 60 = 60 mm

Detent Option
 0 = No Detent

No. of Gangs
 1 = Single Gang
 2 = Dual Gang

Mounting Type
 L = Solder Lugs
 P = PC Pins

Resistance Code
 (See Standard Resistance Table)

Resistance Taper (See Taper Charts)
 Taper Series followed by Curve Number



Sensors & Controls Division

Asia-Pacific:

TEL +886-2 25624117
 FAX +886-2 25624116

Europe:

TEL +41-41 7685555
 FAX +41-41 7685510

The Americas:

TEL +1-951 781-5500
 FAX +1-951 781-5700

www.bourns.com

*RoHS Directive 2002/95/EC Jan 27 2003 including Annex. Specifications are subject to change without notice. Customers should verify actual device performance in their specific applications.

